

## SERVICE MANUAL

AIR-CONDITIONER (MULTI-SPLIT TYPE)

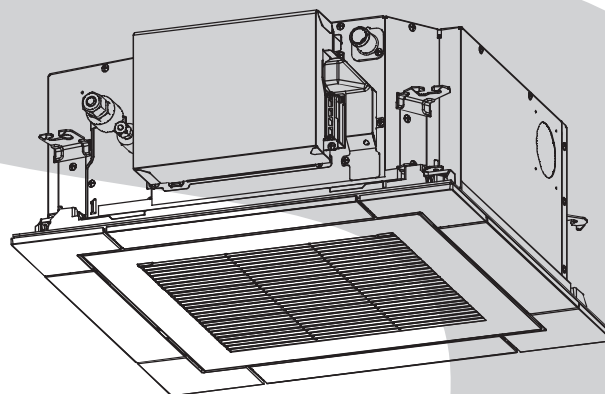
### INDOOR UNIT

<Compact 4-way Cassette type>

**RAS-M10U2MUVG-E (TR)**

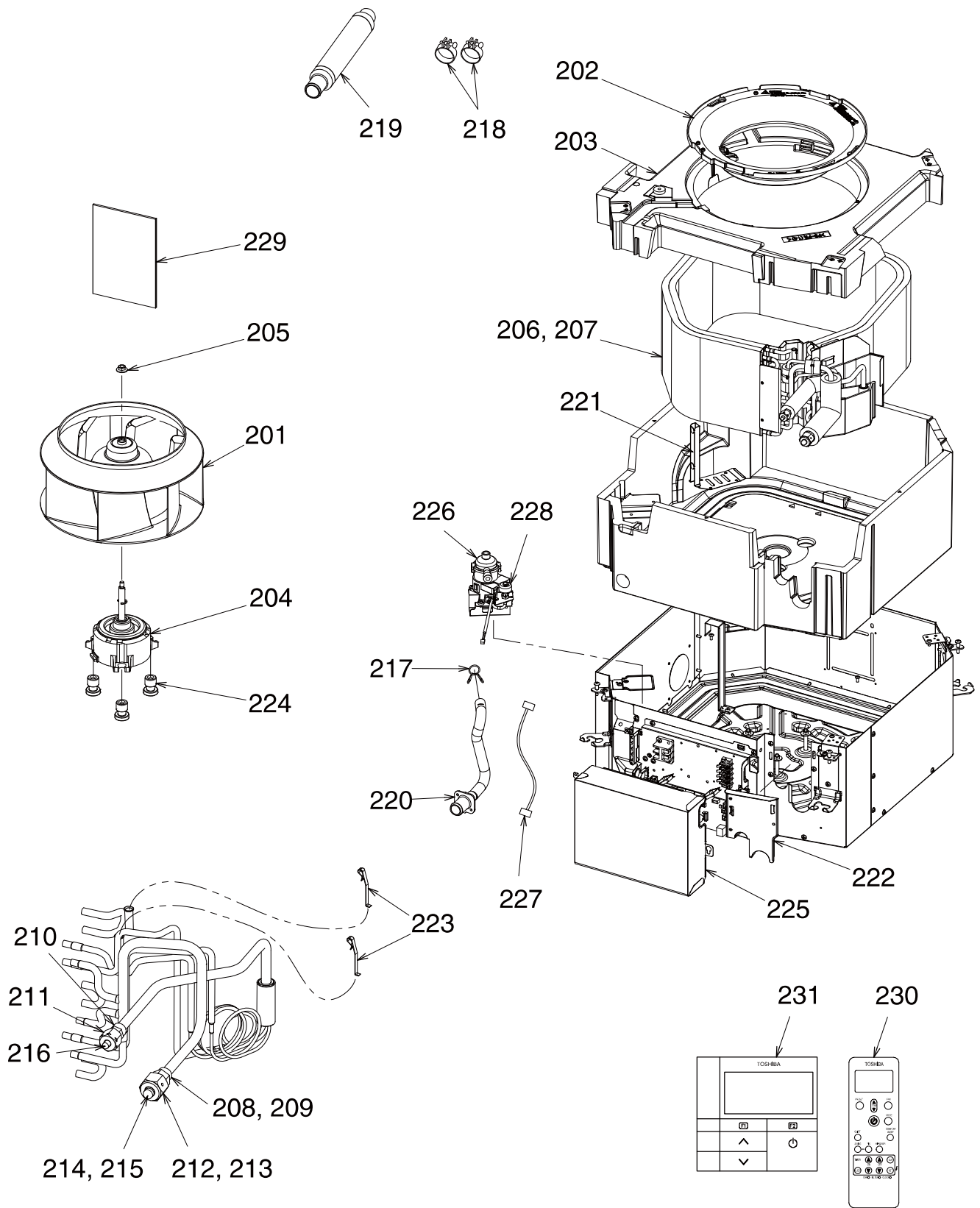
**RAS-M13U2MUVG-E (TR)**

**RAS-M16U2MUVG-E (TR)**



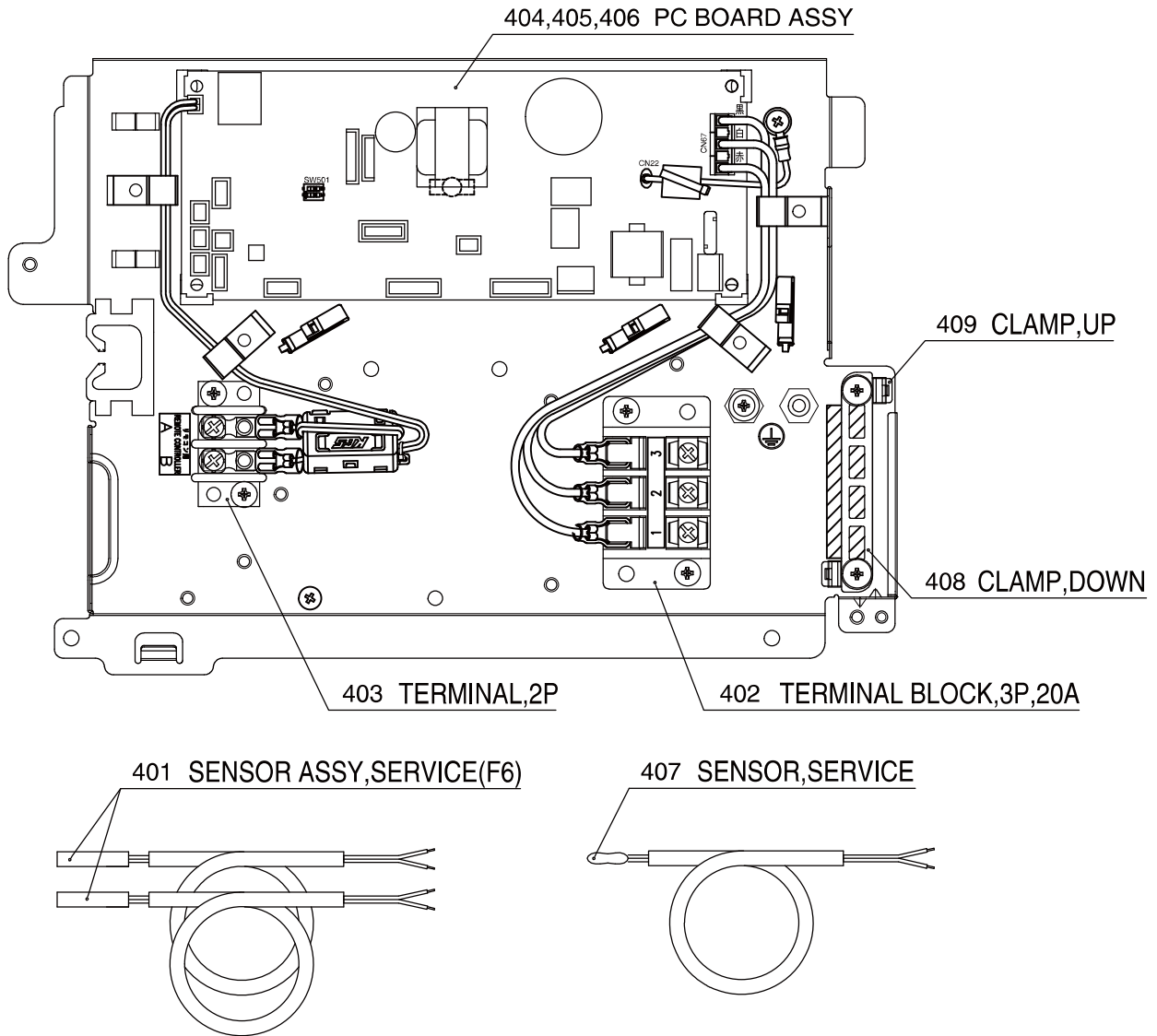
# 12. EXPLODED VIEWS AND PARTS LIST

## 12-1. RAS-M10U2MUVG-E, M13U2MUVG-E, M16U2MUVG-E



Location No.	Part No.	Description	Q'ty/Set		
			RAS-M 10U2 MUVG-E	RAS-M 13U2 MUVG-E	RAS-M 16U2 MUVG-E
201	43120277	FAN, ASSY TURBO	1	1	1
202	43122165	BELL MOUTH	1	1	1
203	43172259	PAN ASSY, DRAIN	1	1	1
204	4312C161	MOTOR, FAN	1	1	1
205	43F97212	NUT	1	1	1
206	4314J577	REFRIGERATION CYCLE ASSY	1	1	
207	4314J578	REFRIGERATION CYCLE ASSY			1
208	43149498	SOCKET	1	1	
209	43149504	SOCKET			1
210	43149497	SOCKET	1	1	1
211	43149499	NUT,FLARE,1/4,IN	1	1	1
212	43149500	NUT,FLARE,3/8,IN	1	1	
213	43149501	NUT,FLARE,1/2,IN			1
214	43F47609	BONNET	1	1	
215	43147195	BONNET, 1/2 IN			1
216	43F49697	BONNET	1	1	1
217	43079249	BAND, HOSE	1	1	1
218	43179170	BAND, HOSE	2	2	2
219	43170276	HOSE, DRAIN	1	1	1
220	43170277	HOSE, DRAIN	1	1	1
221	43163052	HOLDER, LEAD, FAN MOTOR	1	1	1
222	43119542	COVER, PIPE	1	1	1
223	43F19904	HOLDER, SENSOR (TS)	2	2	2
224	43139187	RUBBER, CUSHION	3	3	3
225	43162087	COVER, E-BOX	1	1	1
226	43177021	PUMP, DRAIN	1	1	1
227	43160663	LEAD, RELAY	1	1	1
228	43151323	SWITCH, FLOAT	1	1	1
229	431S8346	OWNER`S MANUAL, RAS-M10U2UVG-E	1	1	1
230	43166018	REMOTE CONTROLLER, WIRELESS	1	1	1
231	43166038	REMOTE CONTROLLER	1	1	1

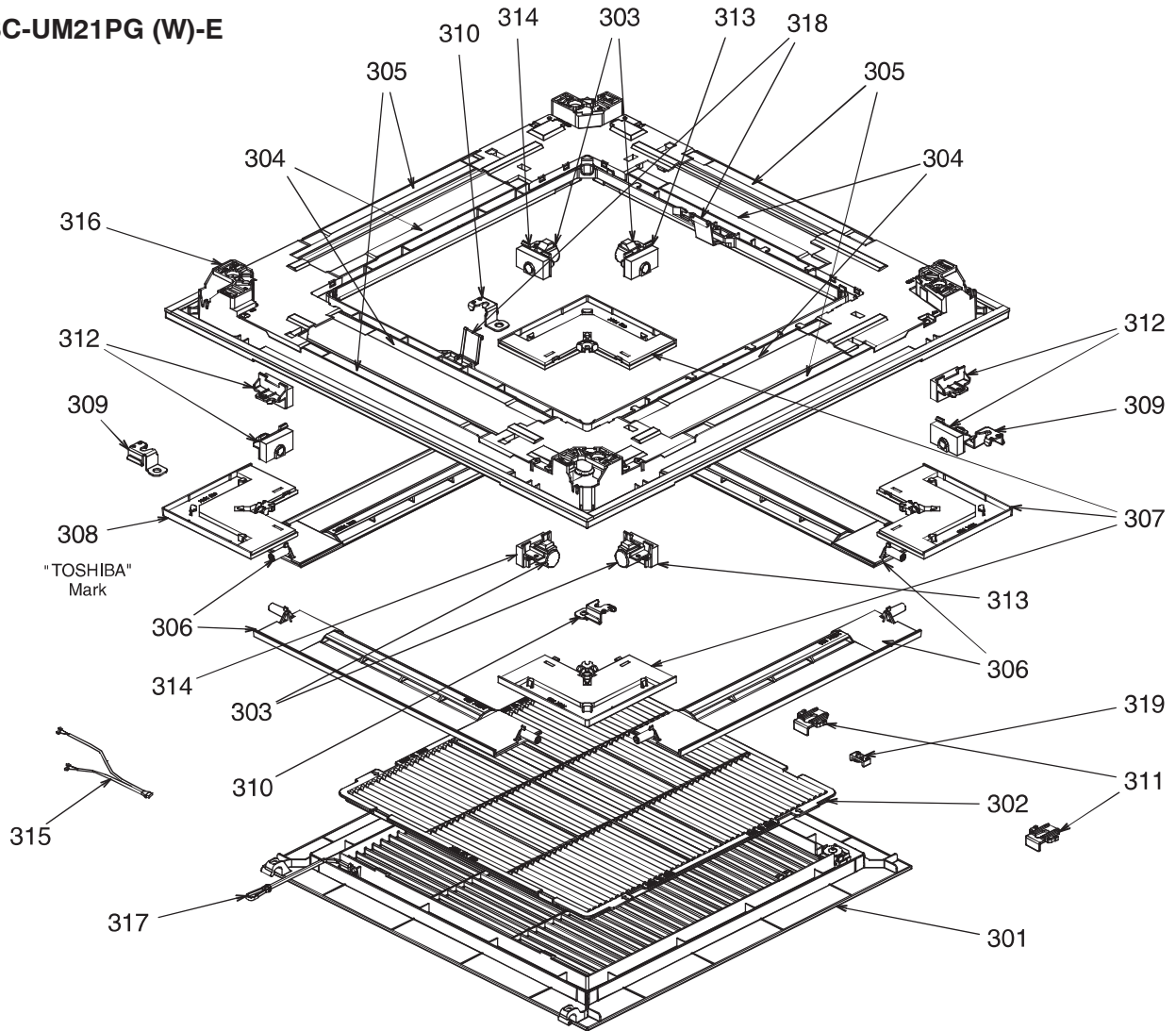
# E-Parts



Location No.	Part No.	Description	Q'ty/Set RAS-M		
			10U2MUVG-E	13U2MUVG-E	16U2MUVG-E
			10U2MUVG-TR	13U2MUVG-TR	16U2MUVG-TR
401	43050425	SENSOR ASSY, SERVICE, TC(F6)	2	2	2
402	43160565	TERMINAL BLOCK, 3P, 20A	1	1	1
403	43160568	TERMINAL, 2P	1	1	1
404	4316V660	PC BOARD ASSY	1		
405	4316V663	PC BOARD ASSY		1	
406	4316V664	PC BOARD ASSY			1
407	43F50426	SENSOR, SERVICE, TA	1	1	1
408	43163057	CLAMP, DOWN	1	1	1
409	43163058	CLAMP, UP	1	1	1

## ◆ Ceiling panel

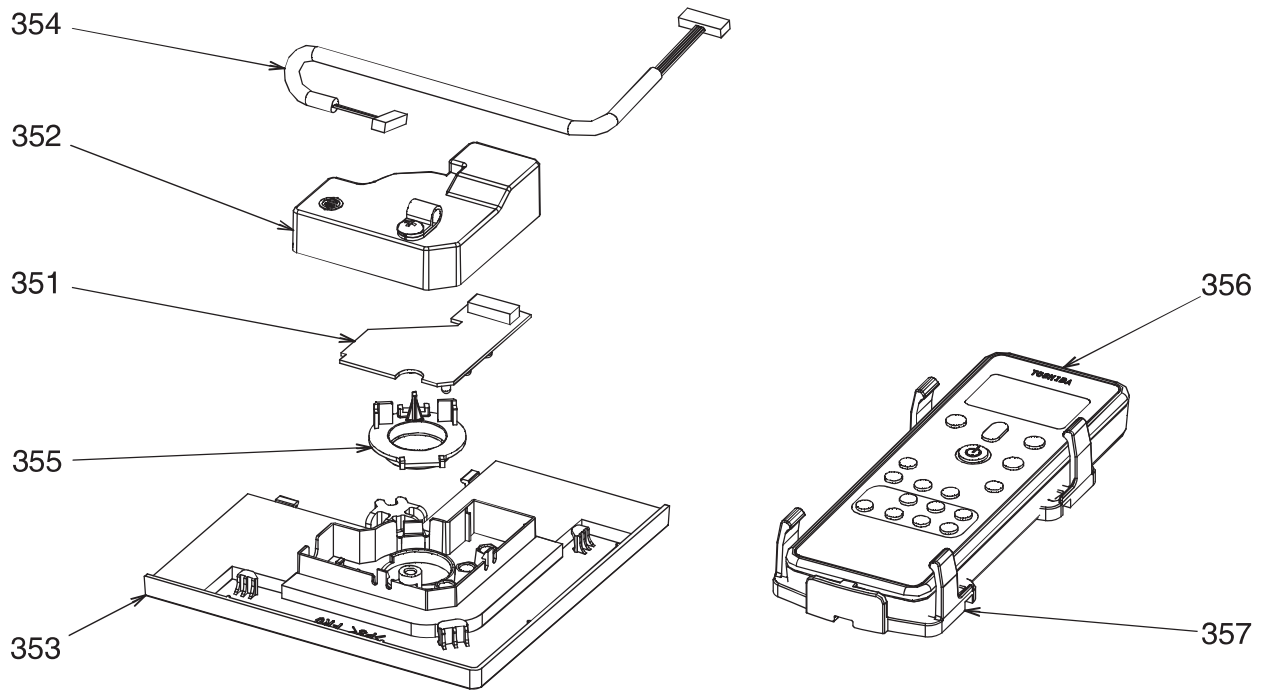
RBC-UM21PG (W)-E



Location No.	Part No.	Description	Q'ty/Set RBC-UM21PG(W)-E
301	43109441	GRILLE, AIR INLET	1
302	43180361	AIR FILTER	1
303	4342D001	MOTOR, LOUVER, MSBPC20F04	4
304	43107296	OUTLET, AIR FORM	4
305	43107297	OUTLET, AIR FORM	4
306	43122166	LOUVER ASSY	4
307	4310A142	COVER, PANEL ASSY	3
308	4310A143	COVER, PANEL ASSY	1
309	43107298	PLATE, FIX PANEL (A)	2
310	43107299	PLATE, FIX PANEL (B)	2
311	43107300	HOOK	2
312	43107301	CAP, AXIS	4
313	43107302	FIX, MOTOR ASSY	2
314	43107303	FIX, MOTOR ASSY	2
315	43160664	LEAD, MOTOR	1
316	4310A144	PANEL, HINS ASSY	1
317	43419022	STRING	1
318	43107304	HANGER	2
319	43107305	FIX, GRILLE	1

## ◆ Wireless remote controller kit

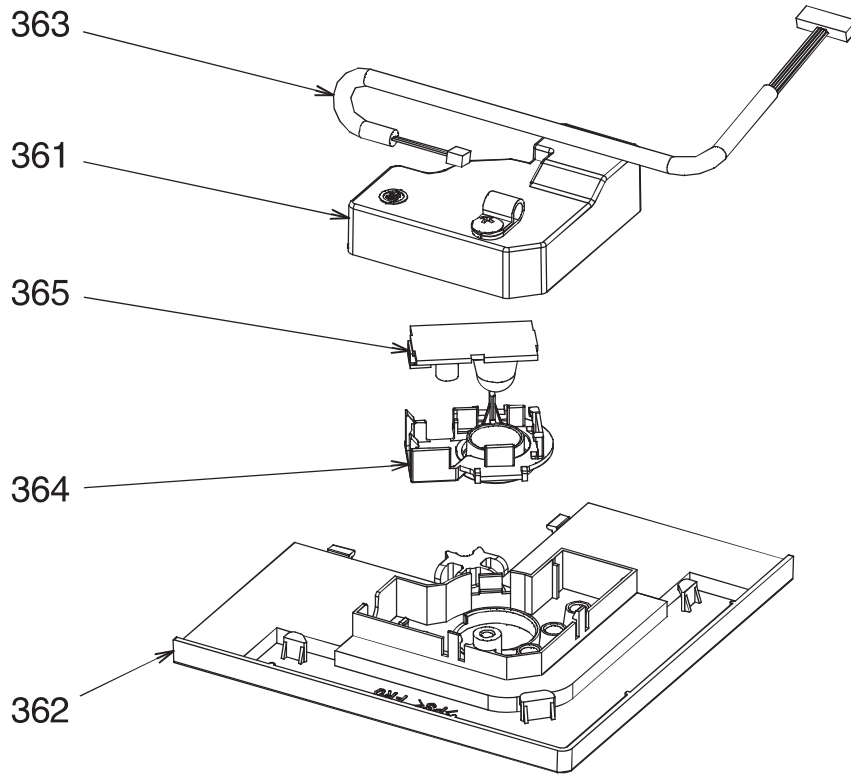
RBC-AX32UM (W)-E



Location No.	Part No.	Description	Q'ty/Set RBC-AX32UM(W)-E
351	4316V616	PC BOARD ASSY, REMOTE RECIEVER	1
352	43162088	COVER, WRS	1
353	43108036	COVER, PANEL WRS	1
354	43160665	LEAD	1
355	43408061	COVER, WIRELESS	1
356	43166018	REMOTE CONTROLLER, WIRELESS, WH-L11SE	1
357	43F83071	HOLDER, REMOTE, CONTROLLER	1

◆ Occupancy sensor

TCB-SIR41UM-E



Location No.	Part No.	Description	Q'ty/Set TCB-SIR41UM-E
361	43162088	COVER, WRS	1
362	43108037	COVER, PANEL WRS	1
363	43160666	LEAD	1
364	43408062	COVER, SENSOR	1
365	43469067	THERMOSTAT	1